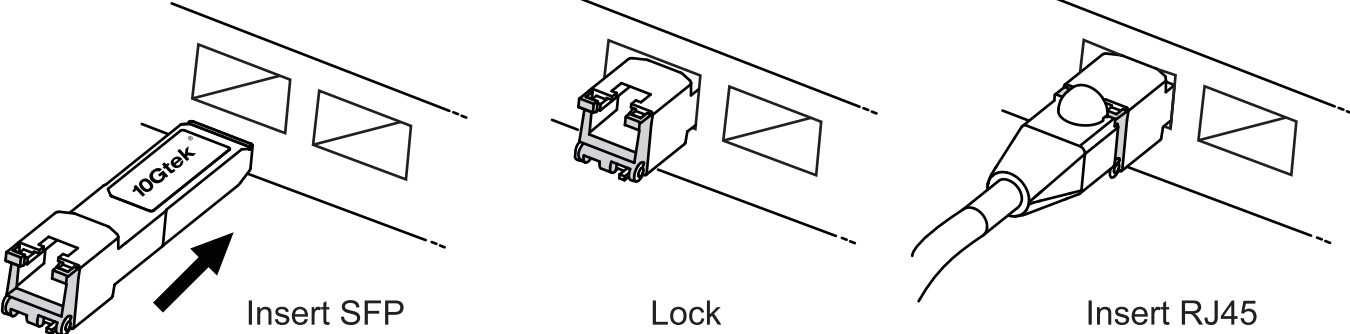


SFP/SFP+ Copper Transceiver Maintaining Guide

1 Installing SFP-T



2 Removing SFP-T

