

ABL34-24-40-D & ABL43-24-40-D

TX:1310nm/RX:1490nm SFP Single-Mode for 1.25G FC/GBE

TX:1490nm/RX:1310nm SFP Single-Mode for 1.25G FC/GBE

BIDI SFP Transceiver

RoHS 6 Compliant



Features

- Operating data rate up to 1.25Gbps
- Two types:
- TX:1310nm Transmitter/RX:1490nm Receiver
- TX:1490nm Transmitter/RX:1310nm Receiver
- Maximum link length of 40Km
- Single 3.3V Power supply and TTL Logic Interface
- BIDI LC Connector Interface
- Operating Case Temperature: -40°C~+85°C
- Hot Pluggable
- Compliant with SFP+ MSA Specification

Applications

- Gigabit Ethernet Switches and Routers
- Fiber Channel Switch Infrastructure
- Other Optical Links

Regulatory Compliance

Feature	Standard	Performance
Electrostatic Discharge (ESD) to the Electrical Pins	MIL-STD-883G Method 3015.7	Class 1C (>1000 V)
Electrostatic Discharge to the Enclosure	EN 55024:1998+A1+A2 IEC-61000-4-2 GR-1089-CORE	Compliant with standards
Electromagnetic Interference (EMI)	FCC Part 15 Class B EN55022:2006 CISPR 22B :2006 VCCI Class B	Compliant with standards
Immunity	EN 55024:1998+A1+A2 IEC 61000-4-3	Compliant with standards. 1KHz sine-wave, 80% AM, from

		80MHz to 1GHz. No effect on transmitter/receiver performance is detectable between these limits.
Laser Eye Safety	FDA 21CFR 1040.10 and 1040.11 EN (IEC) 60825-1:2007 EN (IEC) 60825-2:2004+A1	CDRH compliant and Class I laser product.
Component Recognition	UL and CUL EN60950-1:2006	Compliant with standards
RoHS6	2002/95/EC 4.1&4.2 2005/747/EC 5&7&13	Compliant with standards ^{note1}

Note1: For update of the equipments and strict control of raw materials, 10Gtek has the ability to supply the customized products since Jan 1st, 2007, which meets the requirements of RoHS6 (Restrictions on use of certain Hazardous Substances) of European Union.

In light of item 5 in RoHS exemption list of RoHS Directive 2002/95/EC, Item 5: Lead in glass of cathode ray tubes, electronic components and fluorescent tubes.

In light of item 13 in RoHS exemption list of RoHS Directive 2005/747/EC, Item 13: Lead and cadmium in optical and filter glass. The three exemptions are being concerned for 10Gtek’s transceivers, because 10Gtek’s transceivers use glass, which may contain Pb, for components such as lenses, isolators, and other electronic components.

Product Description

The series Single-mode transceiver is SFP module for BIDI optical data communications such as Gigabit Ethernet 1000BASE-LX and Fiber Channel 1x SM-LC-L FC-PI. It is with the SFP 20-pin connector to allow hot plug capability.

The ABL34-24-40-D uses a 1310nm Distributed Feedback Laser (DFB), which is a Class 1 laser compliant according to International Safety Standard IEC 60825. The receiver section uses an integrated GaAs detector preamplifier (IDP) mounted in an optical header and a limiting post-amplifier IC, The ABL43-24-40-D uses a 1490nm Distributed Feedback Laser (DFB), which is a Class 1 laser compliant according to International Safety Standard IEC 60825. The receiver section uses an integrated GaAs detector preamplifier (IDP) mounted in an optical header and a limiting post-amplifier IC.

Absolute Maximum Ratings^{note2}

Parameter	Symbol	Min.	Max.	Unit
Storage Temperature	T _s	-40	+85	°C
Operating Case Temperature	T _{case}	-40	+85	°C
Supply Voltage	V _{cc}	-0.5	3.6	V

Note2: Exceeding any one of these values may destroy the device permanently.

Recommended Operating Conditions

Parameter	Symbol	Min.	Typical	Max.	Unit
Operating Case Temperature	T_A	-40		+85	°C
Power Supply Voltage	V_{CC}	3.14	3.3	3.46	V
Power Supply Current	I_{CC}			300	mA
Baud Rate			1.25		Gbps

Performance Specifications - Electrical

Parameter	Symbol	Min.	Typ.	Max	Unit	Notes
Transmitter						
LVPECL Inputs(Differential)	V_{in}	400		2000	mVpp	AC coupled inputs
Input Impedance (Differential)	Z_{in}	85	100	115	ohms	$R_{in} > 100 \text{ kohms @ DC}$
Tx_DISABLE Input Voltage - High		2		V_{CC}	V	
Tx_DISABLE Input Voltage - Low		0		0.8	V	
Tx_FAULT Output Voltage - High		2		$V_{CC}+0.3$	V	$I_o = 400\mu\text{A}; \text{Host } V_{CC}$
Tx_FAULT Output Voltage - Low		0		0.5	V	$I_o = -4.0\text{mA}$
Receiver						
LVPECL Outputs (Differential)	V_{out}	700			mVpp	AC coupled outputs
Output Impedance (Differential)	Z_{out}	85	100	115	ohms	
Rx_LOS Output Voltage - High		2		$V_{CC}+0.3$	V	$I_o = 400\mu\text{A}; \text{Host } V_{CC}$
Rx_LOS Output Voltage - Low		0		0.8	V	$I_o = -4.0\text{mA}$
MOD_DEF (0:2)	VoH	2.5			V	With Serial ID
	VoL	0		0.5	V	

Optical and Electrical Characteristics

(ABL34-24-40-D)

Parameter	Symbol	Min.	Typical	Max.	Unit
SMF			40		Km
Data Rate			1.25		Gbps

Transmitter					
Centre Wavelength	λ_C	1290	1310	1330	nm
Spectral Width (-20dB)	$\Delta\lambda$			1	nm
Side Mode Suppression Ratio	SMSR	30			dB
Average Output Power	$P_{out,AVG}$	-3		2	dBm
Extinction Ratio	ER	9			dB
Output Optical Eye		IEEE 802.3-2005 Compliant			
Transmitter and Dispersion Penalty	TDP			3.9	dB
Average Power of OFF Transmitter				-30	dBm
Relative Intensity Noise	RIN			-128	dB/Hz
Input Differential Impedance	Z_{IN}	90	100	110	Ω
TX Disable	Disable	2.0		$V_{CC}+0.3$	V
	Enable	0		0.8	
TX Fault	Fault	2.0		$V_{CC}+0.3$	V
	Normal	0		0.8	
TX Disable Assert Time	t_{off}			10	us
Receiver					
Centre Wavelength	λ_C	1460	1490	1520	nm
Sensitivity ^{note3}	PIN			-23	dBm
Receiver Overload	P_{MAX}	-3			dBm
Output Differential Impedance	P_{IN}	90	100	110	Ω
LOS De-Assert	LOS_D			-23	dBm
LOS Assert	LOS_A	-35			dBm
LOS	High	2.0		$V_{CC}+0.3$	V
	Low	0		0.8	

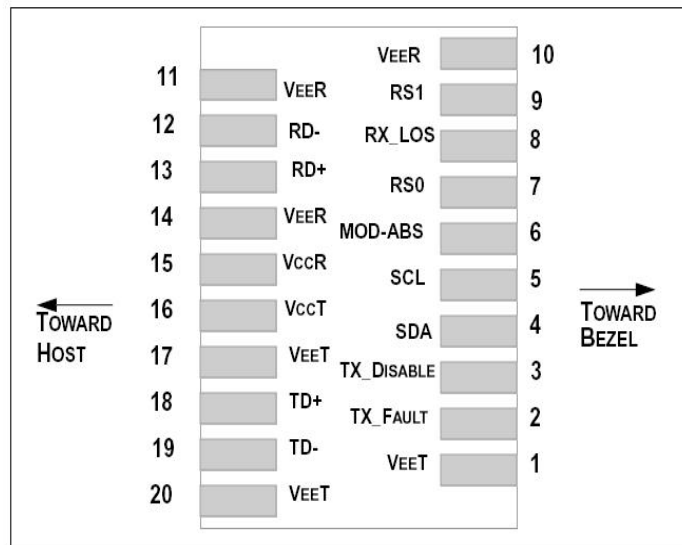
Note3: Measured with worst ER, BER less than 1E-12 and PRBS 2⁷-1 at 1.25Gbps.

(ABL43-24-40-D)

Parameter	Symbol	Min.	Typical	Max.	Unit
SMF			40		Km
Data Rate			1.25		Gbps
Transmitter					
Centre Wavelength	λ_C	1470	1490	1510	nm
Spectral Width (-20dB)	$\Delta\lambda$			1	nm
Side Mode Suppression Ratio	SMSR	30			dB
Average Output Power	$P_{out,AVG}$	-3		2	dBm
Extinction Ratio	ER	9			dB
Output Optical Eye		IEEE 802.3-2005 Compliant			
Transmitter and Dispersion Penalty	TDP			3.9	dB
Average Power of OFF Transmitter				-30	dBm
Relative Intensity Noise	RIN			-128	dB/Hz

Input Differential Impedance		Z _{IN}	90	100	110	Ω
TX Disable	Disable		2.0		V _{CC} +0.3	V
	Enable		0		0.8	
TX Fault	Fault		2.0		V _{CC} +0.3	V
	Normal		0		0.8	
TX Disable Assert Time		t _{off}			10	us
Receiver						
Centre Wavelength		λ _C	1270	1310	1350	nm
Sensitivity ^{note3}		PIN			-23	dBm
Receiver Overload		P _{MAX}	-3			dBm
Output Differential Impedance		P _{IN}	90	100	110	Ω
LOS De-Assert		LOS _D			-23	dBm
LOS Assert		LOS _A	-35			dBm
LOS	High		2.0		V _{CC} +0.3	V
	Low		0		0.8	

SFP Transceiver Electrical Pad Layout



Pin Function Definitions

Pin Num.	Name	FUNCTION	Plug Seq.	Notes
1	VeeT	Transmitter Ground	1	Note8
2	TX Fault	Transmitter Fault Indication	3	Note4
3	TX Disable	Transmitter Disable	3	Note 6, Module disables on high or open
4	SDA	Module Definition 2	3	Note6, Data line for Serial ID.
5	SCL	Module Definition 1	3	Note6, Clock line for Serial ID.

6	MOD_ABS	Module Definition 0	3	Note6
7	RS0	RX Rate Select (LVTTL).	3	This pin has an internal 30k pull down to ground. A signal on this pin will not affect module performance.
8	LOS	Loss of Signal	3	Note7
9	RS1	TX Rate Select (LVTTL).	1	This pin has an internal 30k pull down to ground. A signal on this pin will not affect module performance.
10	VeeR	Receiver Ground	1	Note8
11	VeeR	Receiver Ground	1	Note8
12	RD-	Inv. Received Data Out	3	Note9
13	RD+	Received Data Out	3	Note9
14	VeeR	Receiver Ground	1	Note8
15	VccR	Receiver Power	2	3.3 ± 5%, Note10
16	VccT	Transmitter Power	2	3.3 ± 5%, Note10
17	VeeT	Transmitter Ground	1	Note8
18	TD+	Transmit Data In	3	Note11
19	TD-	Inv. Transmit Data In	3	Note11
20	VeeT	Transmitter Ground	1	Note8

Note4: TX Fault is an open collector/drain output, which should be pulled up with a 4.7K – 10KΩ resistor on the host board. Pull up voltage between 2.0V and VccT, R+0.3V. When high, output indicates a laser fault of some kind. Low indicates normal operation. In the low state, the output will be pulled to < 0.8V.

Note5: TX disable is an input that is used to shut down the transmitter optical output. It is pulled up within the module with a 4.7 – 10 KΩ resistor. Its states are:

Low (0 – 0.8V): Transmitter on

(>0.8, < 2.0V): Undefined

High (2.0 – 3.465V): Transmitter Disabled

Open: Transmitter Disabled

Note6: Modulation Absent, connected to VEET or VEER in the module.

Note7: LOS (Loss of Signal) is an open collector/drain output, which should be pulled up with a 4.7K – 10KΩ resistor. Pull up voltage between 2.0V and VccT, R+0.3V. When high, this output indicates the received optical power is below the worst-case receiver sensitivity (as defined by the standard in use). Low indicates normal operation. In the low state, the output will be pulled to <0.8V.

Note8: VeeR and VeeT may be internally connected within the SFP module.

Note9: RD-/+ : These are the differential receiver outputs. They are AC coupled 100Ω differential lines which should be terminated with 100Ω (differential) at the user SERDES. The AC coupling is done inside the module and is thus not required on the host board. The voltage swing on these lines will be between 350 and 700 mV differential (175 –350 mV single ended) when properly terminated.

Note10: VccR and VccT are the receiver and transmitter power supplies. They are defined as 3.3V ±5% at the SFP connector pin. Maximum supply current is 300mA. Recommended host board power supply filtering is shown below. Inductors with DC

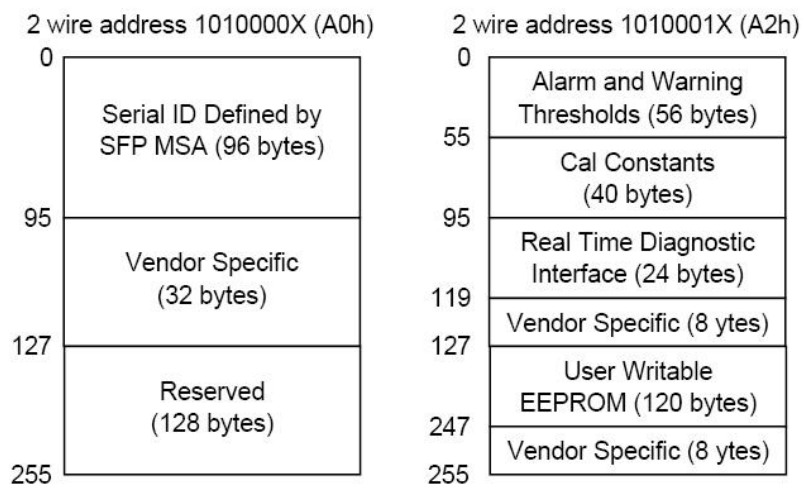
resistance of less than 1 ohm should be used in order to maintain the required voltage at the SFP input pin with 3.3V supply voltage. When the recommended supply-filtering network is used, hot plugging of the SFP transceiver module will result in an inrush current of no more than 30mA greater than the steady state value. VccR and VccT may be internally connected within the SFP transceiver module.

Note11: TD-/+ : These are the differential transmitter inputs.They are AC-coupled, differential lines with 100Ω differential termination inside the module.The AC coupling is done inside the module and is thus not required on the host board.The inputs will accept differential swings of 150–1200 mV(75– 600mV single-ended).

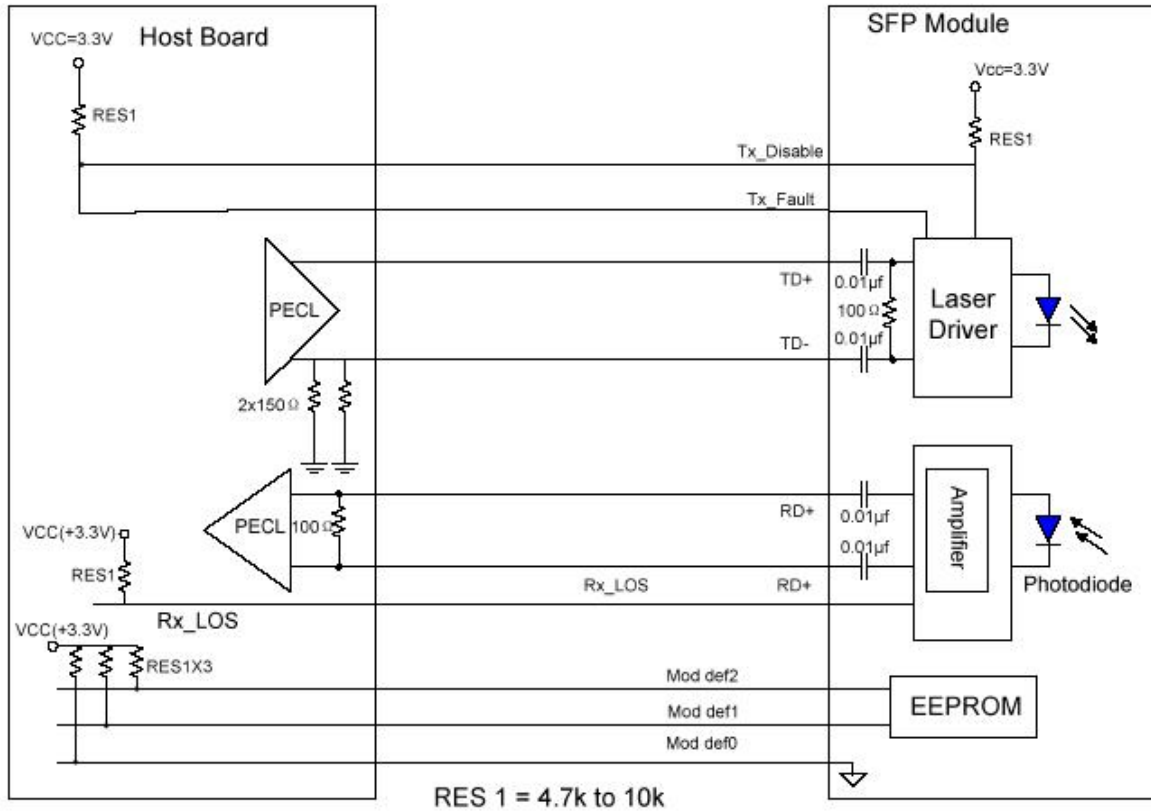
EEPROM

The serial interface uses the 2-wire serial CMOS EEPROM protocol defined for the ATMEL AT24C02/04 family of components. When the serial protocol is activated, the host generates the serial clock signal (SCL). The positive edge clocks data into those segments of the EEPROM that are not writing protected within the SFP transceiver. The negative edge clocks data from the SFP transceiver. The serial data signal (SDA) is bi-directional for serial data transfer. The host uses SDA in conjunction with SCL to mark the start and end of serial protocol activation. The memories are organized as a series of 8-bit data words that can be addressed individually or sequentially.

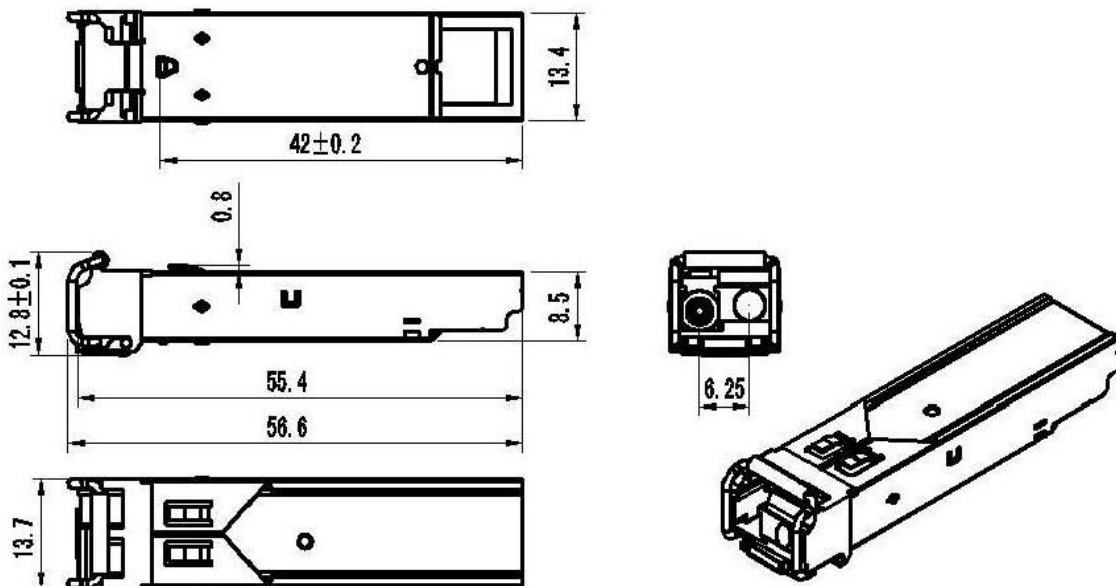
The Module provides diagnostic information about the present operating conditions. The transceiver generates this diagnostic data by digitization of internal analog signals. Calibration and alarm/warning threshold data is written during device manufacture. Received power monitoring, transmitted power monitoring, bias current monitoring, supply voltage monitoring and temperature monitoring all are implemented. If the module is defined as external calibrated, the diagnostic data are raw A/D values and must be converted to real world units using calibration constants stored in EEPROM locations 56 – 95 at wire serial bus address A2h. The digital diagnostic memory map specific data field define as following .For detail EEPROM information, please refer to the related document of SFF 8472 Rev9.3.



Recommend Circuit Schematic



Mechanical Specifications



Revision History

Revision	Initiated	Approved	content	Release Date
Ver1.0	Jacky	Nicky	Released	Dec/2011

Ordering information

Part No.	Data Rate	Laser	Fibre Type	Temp.	Distance	Optical Interface	DDMI
ABL34-24-40-D	1.25Gbps	1310nm DFB	SMF	-40~85°C	40Km	LC	YES
ABL43-24-40-D	1.25Gbps	1490nm DFB	SMF	-40~85°C	40Km	LC	YES

Further Information

For further information, please contact info@10gtek.com

Tel : +86 755 2998 8100

Fax: +86 755 6162 4140

Web: www.10gtek.com